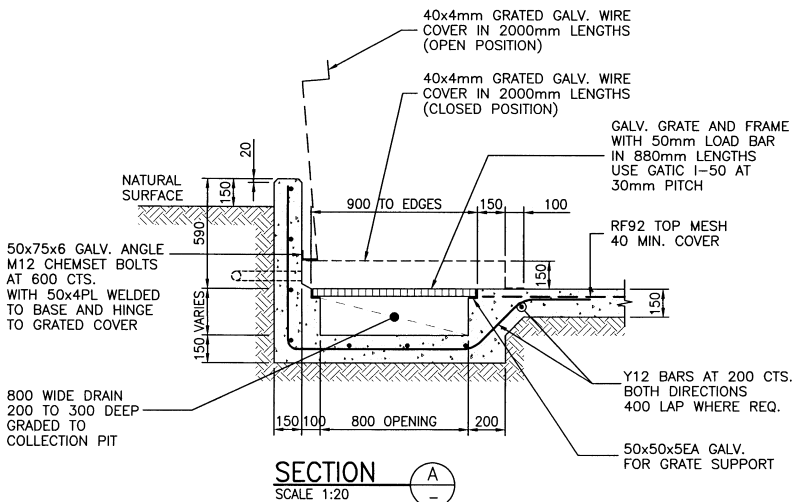
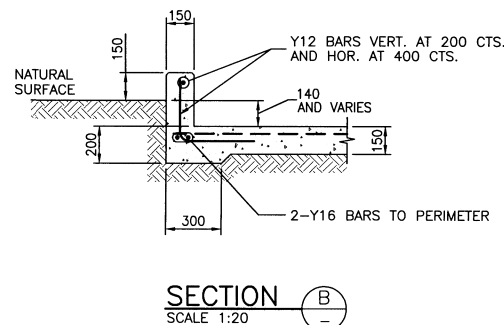


**SLAB PLAN**  
SCALE 1:100



**SECTION A**  
SCALE 1:20



**SECTION B**  
SCALE 1:20

**CONCRETE NOTES.**

- Concrete construction shall comply with AS 3600 - 1994.
- Concrete to be grade :  
N 40 for Washdown Slab
- Reinforcement designations are as follows :-  
Y - Hot rolled deformed bars to AS 1302  
W - Hard drawn steel wire to AS 1303  
F - Hard drawn steel wire fabric to AS 1304.
- Where reinforcement is spliced, all laps to be a minimum of 45 bar diameters.
- Concrete cover - 40mm clear cover.
- Walls may be formed and poured continuous with base slab as monolithic pour, or pour base first, then form upstand walls.

**SURFACE COATINGS**

Washdown slab - Apply 'MASTERTOP 105' strictly to manufacturer's recommendations at a rate of 4kg/m<sup>2</sup> in two applications. Cure only with plastic sheeting.

Trench grate drains - Paint apply 'MASTERTOP 1050' epoxy lining to base and sides in accordance with manufacturer's instructions.

**SOIL CONDITIONS**

Clay subsoil refers to soil properties at founding of footing beams. Clay to have allowable bearing pressures of 80KPa at founding depth.

For more sandy low bearing pressure soil refer foundation details to structural engineer.

**STORMWATER OVERFLOW**

The plan depicted shows the installation on a flat site with stormwater overflow taken to adjacent low ground. Alternatively, if the slab is installed on sloping ground, the nominated falls shall be maintained and the 150mm upstand kerb with the dimension '590' shown on 'Section A' reduced to minimum 290mm.

**Project** PROPOSED WASHDOWN FACILITY  
**At** REGIONAL WASH DOWN  
**For** PHYLLOXERA & GRAPE BOARD

**Designer** ENGINEERING MGMT SERVICES P/L  
Address 17 MAUD ST. UNLEY 5061  
Phone 8373 5524

**Sheet Title** WASHDOWN FACILITY PLAN AND DETAILS

**DAVID COMBE & ASSOCIATES**  
Consulting Engineers  
83 King William Road,  
Unley, S.A. 5061  
P.O. Box 402  
Unley, S.A. 5061  
Telephone: (08) 8272 0244,  
Facsimile: (08) 8373 1814,  
E-mail: combe@comtech.net.au

Designed D.C	Drawn ADDISON	Scale 1:100	Date APR'01
Checked D.C.		Drawing No. 2724-R	